

Installation and care instructions

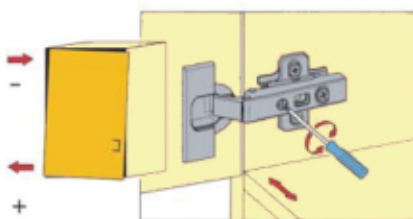
Part 2
- adjustment

Black &
White •STYLE



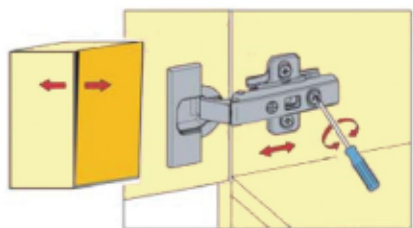
1 Fronts.

After installing the carcasses, re-attach and adjust the doors as illustrated below. Any protective films on the front should now be removed (not before).



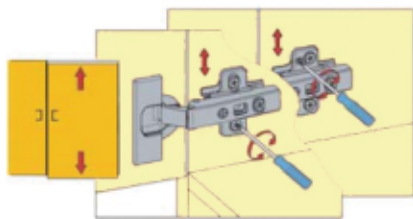
Overlay adjustment

Turn the screw in or out $+ 0.5 / - 3$ mm until the door is straight. Do not undo the fixing screw.



Depth adjustment

Adjust the distance between door and carcass side with the aid of the eccentric (± 1.5 mm).
Turn anticlockwise: increase the distance
Turn clockwise: decrease the distance.

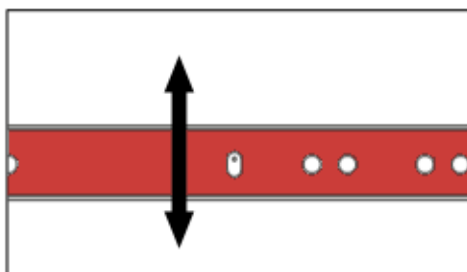
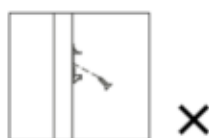
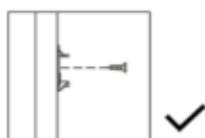
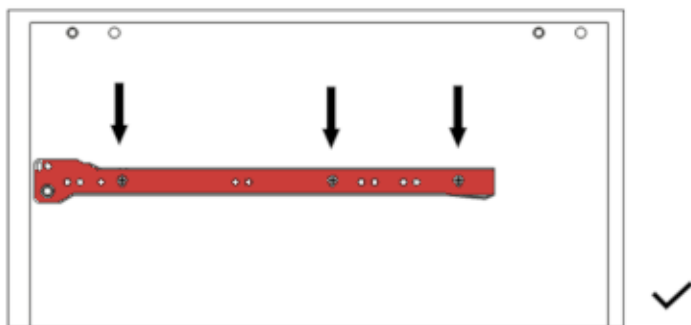


Height adjustment

Lightly undo the fixing screws and adjust the door vertically (± 2 mm). Then retighten the fixing screws.

2 Drawers

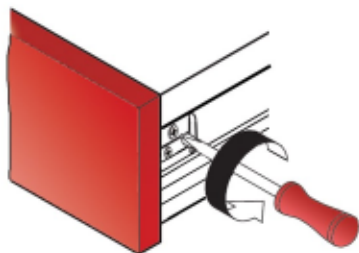
Adjustment possibilities:



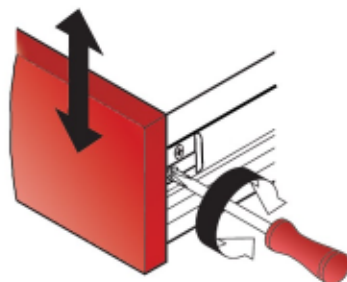
4 Installation and care instructions

Adjustment possibilities: *

1.

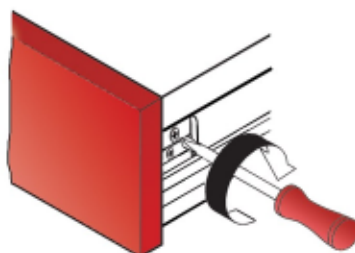


2.

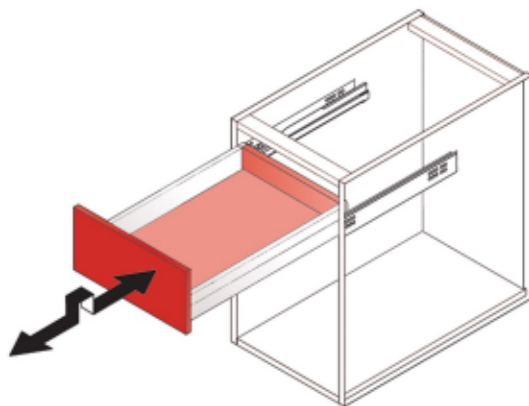


+/- 2 mm

3.



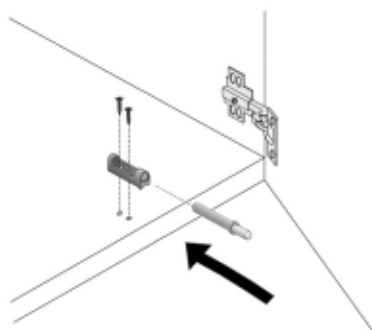
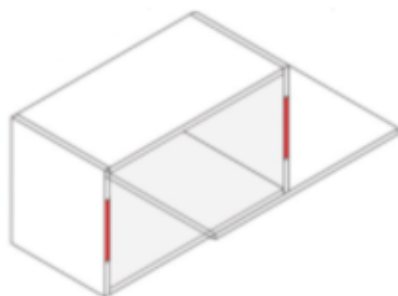
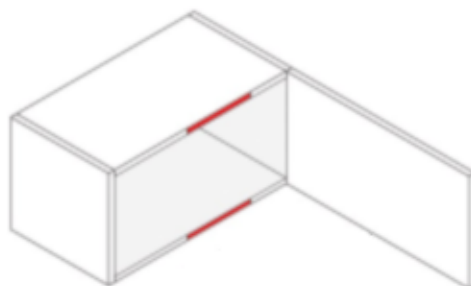
Fitting and removing drawers:



* metabox

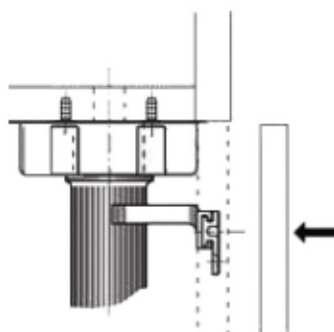
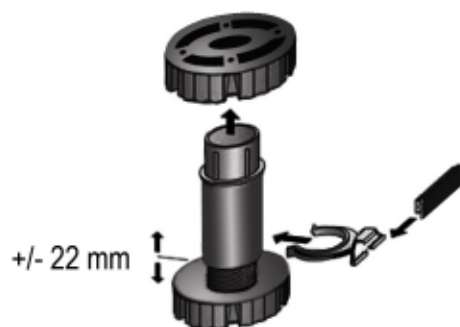
3 Hinge buffers.

Instalation:



4 Foot with the stem.

| Adjustment possibilities:





Black And White Style
Nowina 38
82-300 Elblag
POLAND

 +48 55 648 66 60
 +48 55 648 66 55
 bws@bws.com.pl
 www.bws.com.pl