

# Installation and care instructions

Part 1  
- installation

**Black &**  
STYLE  
**White**



### 1 Kitchen assembly instructions.

Before starting to install the kitchen, check against the delivery note to ensure that all parts are complete and undamaged.

**Damage to installed furniture items will not be accepted as cause for complaint.**

Before drilling any holes, check that water or gas pipes and power cables cannot be damaged by the drilling. Complaints due to incorrect installation cannot be accepted. In view of the numerous different assemblies, we cannot guarantee that these instructions are complete.

Moreover, claims cannot be asserted on account of property damage and/or bodily injury in conjunction with defective or incomplete installation.

### 2 Installation sequence.

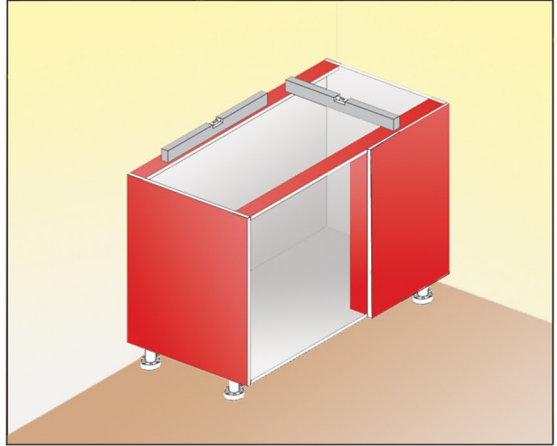
The installation sequence depends first and foremost on the layout of the individual kitchen. The planning instructions can also be of assistance. As a rule, however, installation can proceed in the following order:

1. Base units (start in a corner for L or U-shaped kitchens)
2. Worktops
3. Tall units
4. Wall units
5. Cornices and light pelmets, plinths, wall mounted shelves, etc.

### 3 Base units.

The units should be assembled and aligned separately.

Start in one corner for L or U-shaped kitchens.



### 4 Worktops.

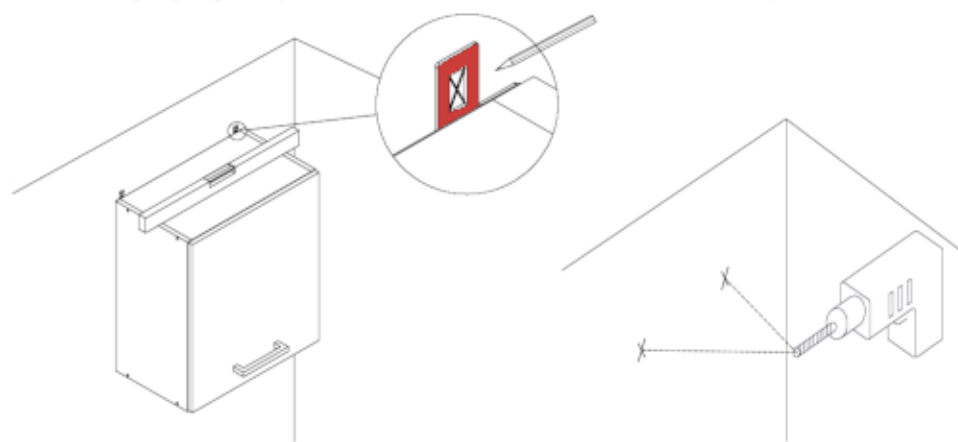
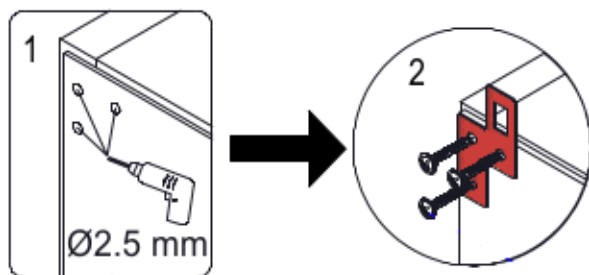
Lay out and adjust the worktops first, then produce any cut-outs which may be needed for the built-in sink and hobs; always cut from the underside of the worktop to prevent the fair side tearing. Follow the manufacturer's instructions.

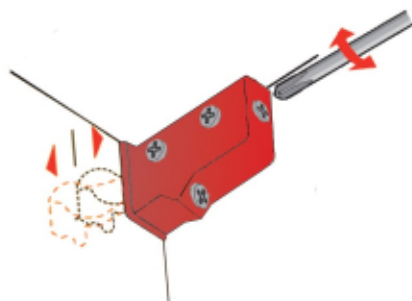
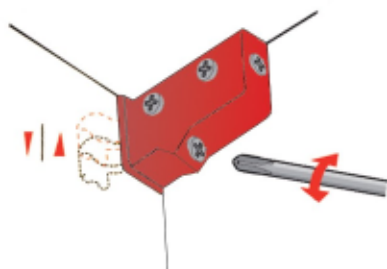
Cut-outs must always be coated with sanitary silicone to protect against moisture. In the case of tongue-and-groove connections, glue in the connecting tongues over the depth of the worktop, applying the glue to the cut on both sides, particularly along the upper edge and along the rounded front edge. When assembling the parts, glue should emerge along the whole of the upper edge to prevent moisture penetrating into the joints during use.

When the worktops have been joined together, they must be aligned and the connecting fittings tightened down. Remove surplus glue with a damp cloth immediately. Finally, screw the worktops down onto the base units.

## 5 Wall units.

The walls on which the units are to be mounted must be able to bear the load. The holes to be drilled for the units depend on their height and on the plinth height. Screw-in hooks are supplied as standard for attaching the units to the wall. Suspension rails can be ordered separately with the corresponding fixing hardware. Drill sufficiently deep holes with an 8 mm bit and drive home the dowels. Then turn in the enclosed screw-in hooks until approx. 1 cm remains. The optional suspension rails should be screwed onto the wall as near the ends as possible and then checked to ensure they are secure. Always use the fixing hardware supplied. Hook the wall unit onto the hook or rail and align it with a spirit level.



**6 Adjustment possibilities.**



Black And White Style  
Nowina 38  
82-300 Elblag  
POLAND

 +48 55 648 66 60  
 +48 55 648 66 55  
 [bws@bws.com.pl](mailto:bws@bws.com.pl)  
 [www.bws.com.pl](http://www.bws.com.pl)